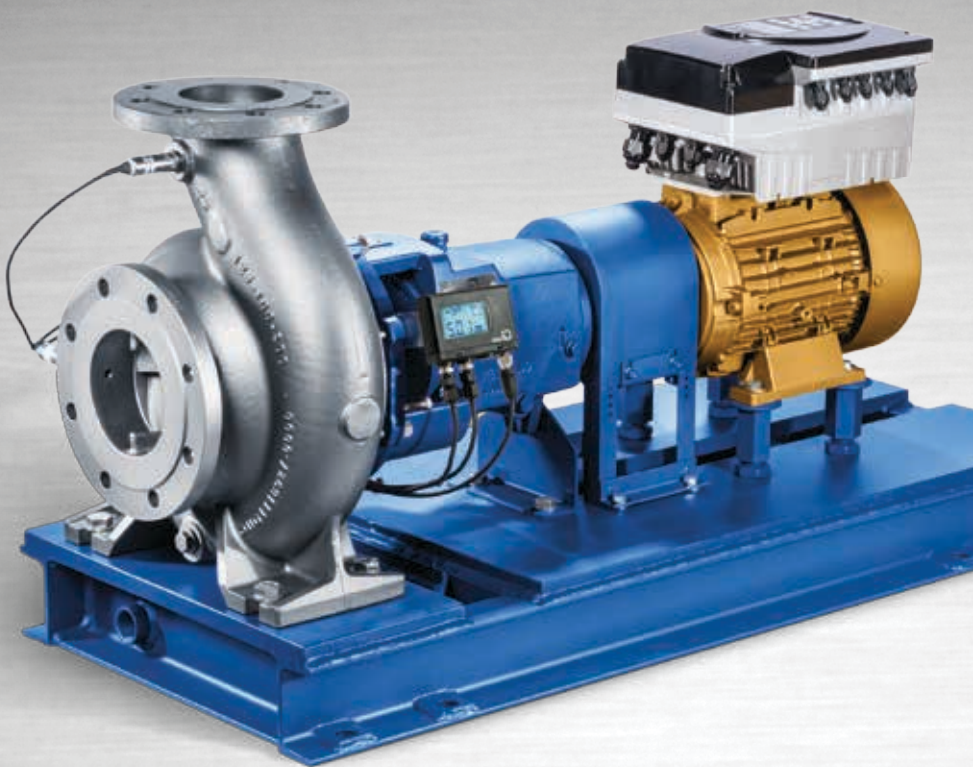


MegaCPK – Standardised Chemical Pump



Applications:

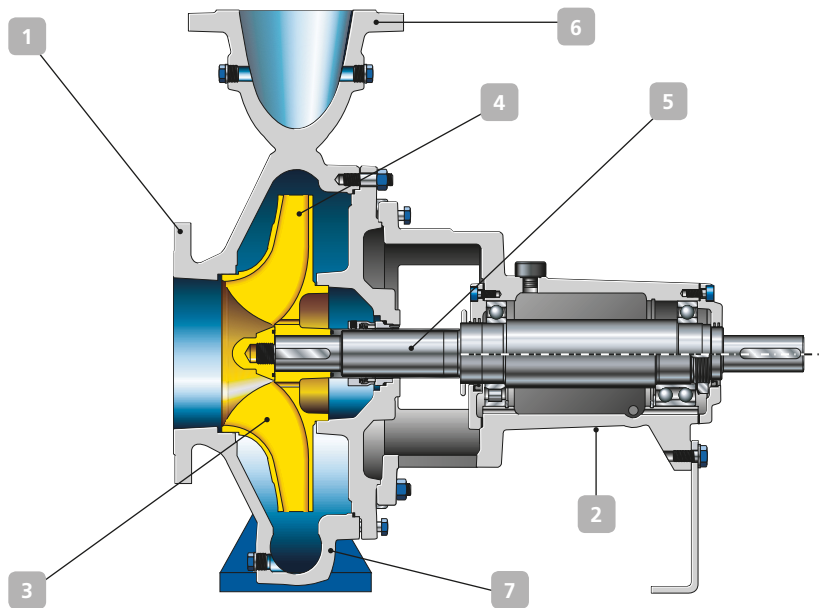
For handling aggressive organic and inorganic fluids in

- Chemical industry
- Petrochemical industry
- Process engineering
- Sugar industry
- Biodiesel, bioethanol
- Fire-fighting systems/
fire-fighting water
- Seawater desalination/
reverse osmosis
- Condensate
- Hot water
- Brine
- Steel industry
- Heat transfer media
- Cleaning agents

More information:

www.ksb.com/products

MegaCPK – Standardised Chemical Pump to ISO 2858 / ISO 5199 and Directive 94/9/EC (ATEX)



1 In compliance with relevant standards

Dimensions to ISO 2858 and design ISO 5199

2 High reliability and lower operating costs

Reduced energy consumption, optimised spare parts concept and hard-wearing, service-friendly design

3 Energy efficiency

Hydraulic characteristics optimised for excellent efficiency and NPSH, ensuring energy-efficient and environmentally friendly use of resources

4 Lower investment costs

Duty points required can be achieved with smaller pump sizes

5 Large range of variants for all applications

All shaft seal types possible including gland packings, single or double mechanical seals and cartridge seals

6 The right size for each application

58 hydraulic systems offering a choice between “standardised flow rate and nominal duty point” and high-performance variants.

7 Easy to service

Back pull-out design and smaller spare parts stocks

Material options

Grey cast iron JL1040/A48CL35
 Cast steel GP240GH+N/A216GrWCB
 Stainless steel 1.4408/A743GrCF8M
 Duplex steel 1.4593/1.4517/A995GrCD4MCuN
 Special materials

Technical data

Flow rate Q	Up to 1,160 m ³ /h (50 Hz) Up to 1,400 m ³ /h (60 Hz)
Head H	Up to 162 m (50 Hz) Up to 233 m (60 Hz)
Operating temperature t	-40 °C to +400 °C
Operating pressure p	Up to 25 bar



KSB SE & Co. KGaA
 Johann-Klein-Straße 9
 67227 Frankenthal (Germany)
 www.ksb.com